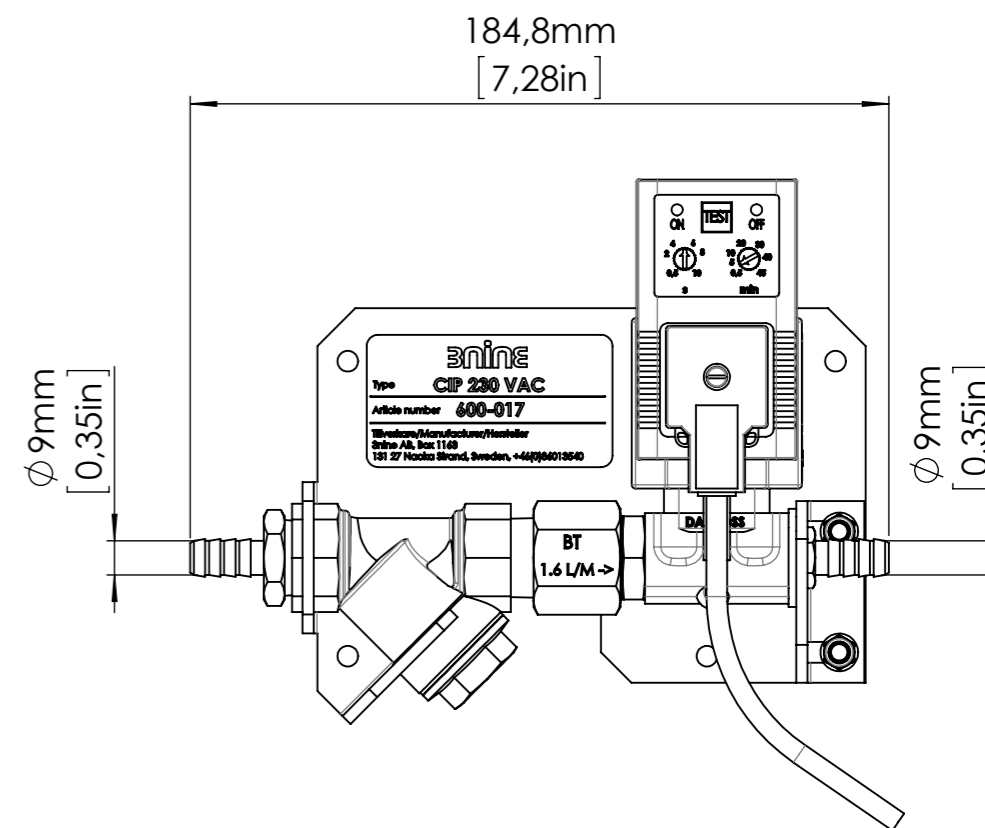
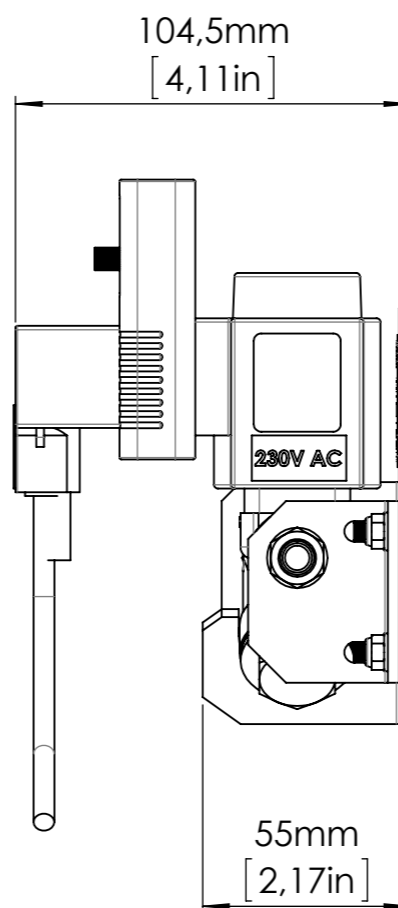
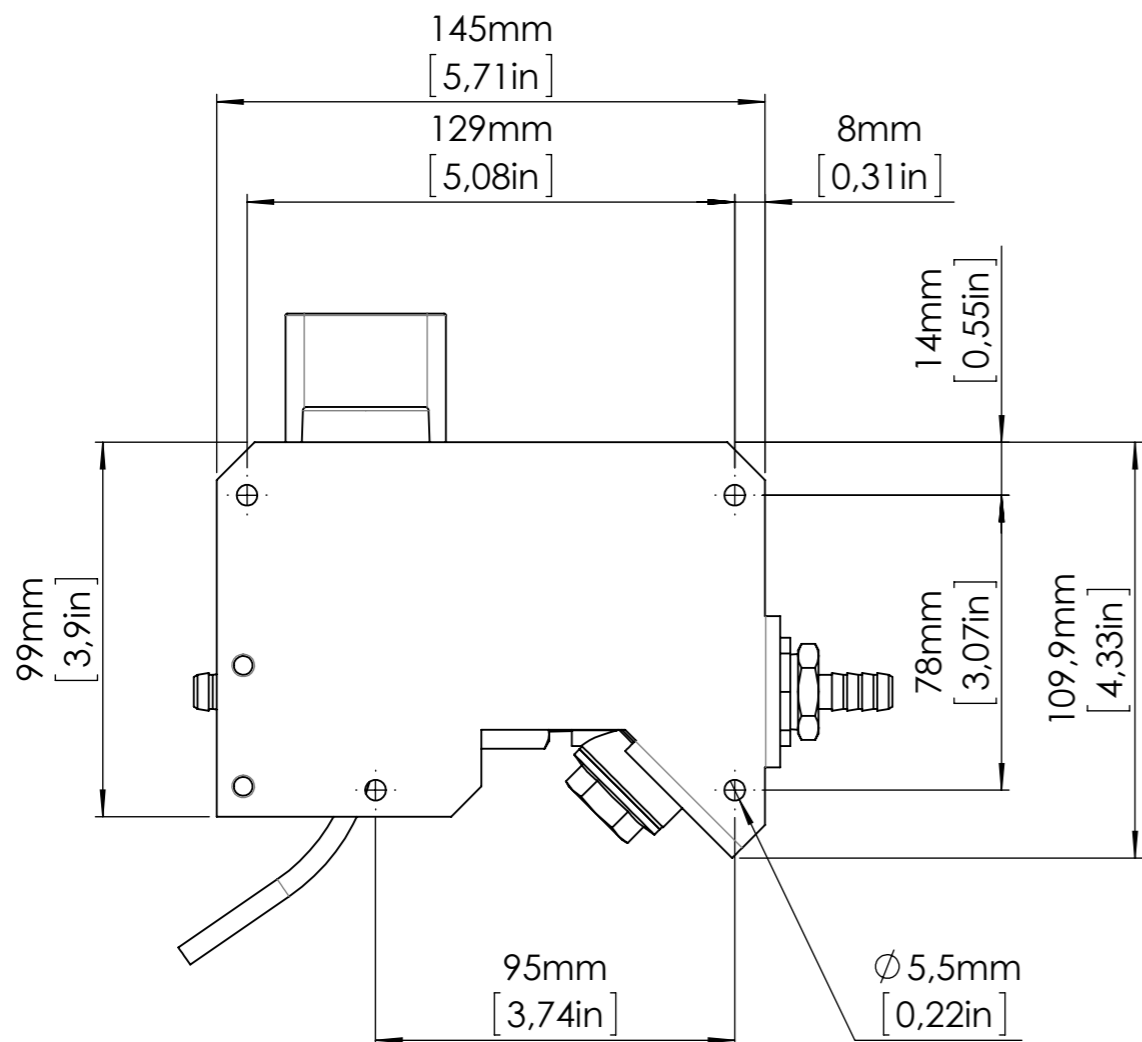


This document is property of 3nine AB, and may not without our written permission be copied, imparted to a third party or used for any unauthorized purpose.



Surface conditioning	Heat treatment	Scale
General tolerance SS-ISO 2768	General roughness, Ra	Asm.
Drawn 140206 Sign JSg	Denomination	<p style="text-align: center;">CIP Valve Assy 230 V AC Dimension drawing Blue Line</p>
Check. Sign		
3nine	Article nr.	600-017
	Drawing nr.	DD600-017
	Sheet 1 of 1	Mod.

A B C D E F G H

6
5
4
3
2
1